



FEDERATION INTERNATIONALE DE L' AUTOMOBILE

A / TO :	M. Natham COLEMAN COOPER AVON TYRES	NColeman@coopertire.com
DE / FROM :	Jérôme TOQUET FIA GENEVE <u>E-mail : j.toquet@aitfia.ch</u>	

Date :	20/02/08	Page(s):	3
---------------	----------	-----------------	----------

Subject: Tyre homologation

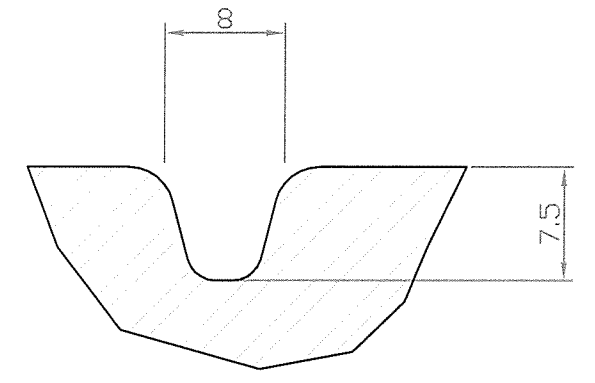
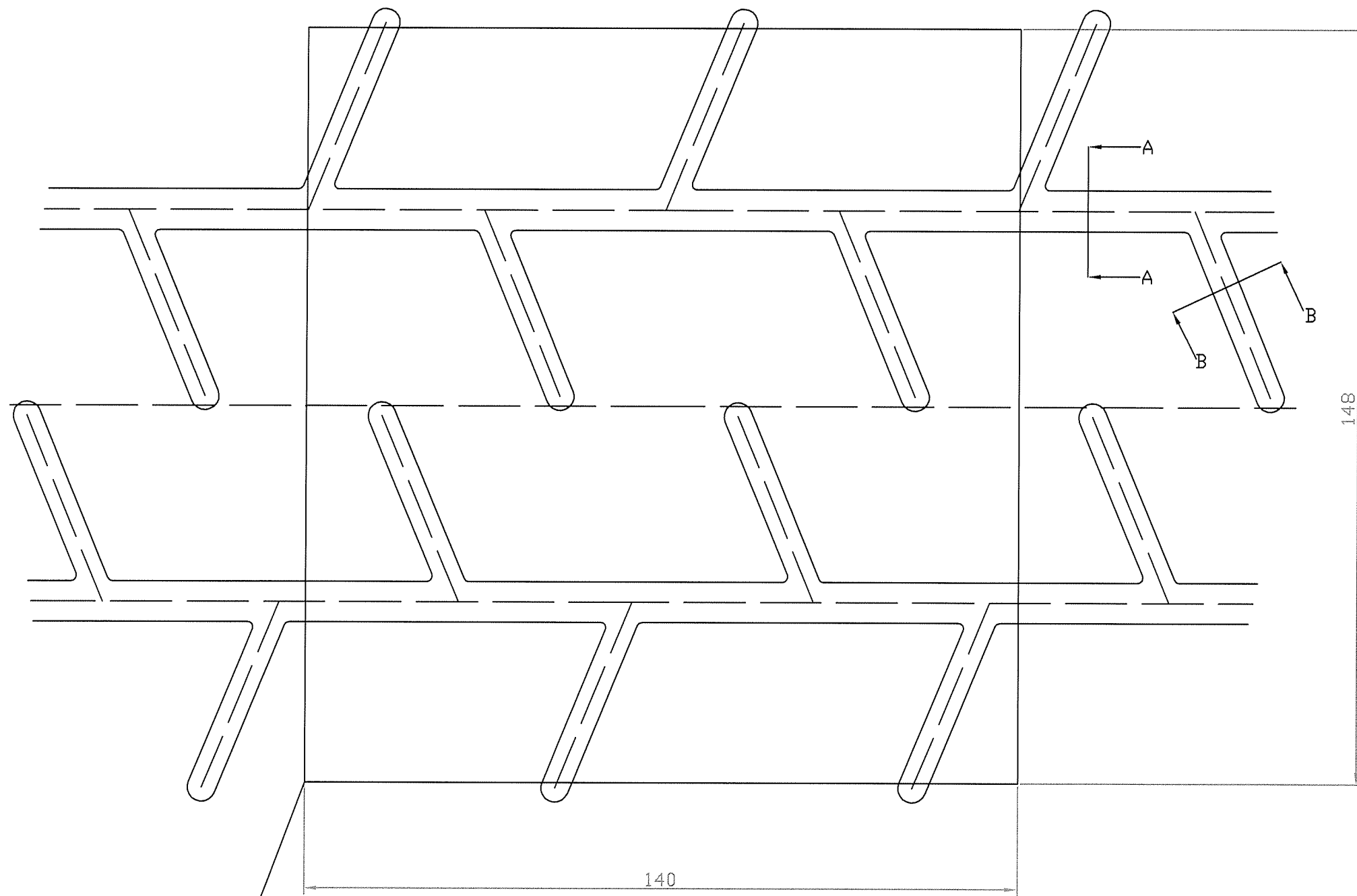
Dear Sir,

Please consider that the following tyres are homologated for Rally and Rallycross:

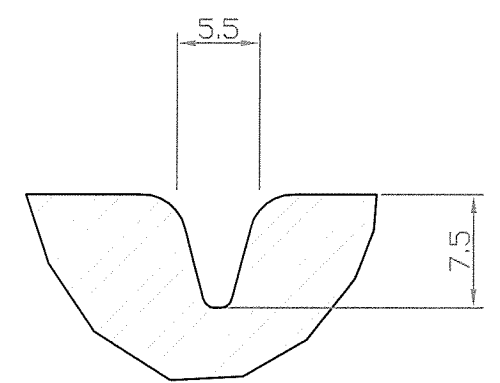
- pattern N° RX102 / 8" width (see drawing – Page 2 attached)
- pattern N° RX101 / 9" width (see drawing – Page 3 attached)

Best Regards.

J. TOQUET




SECTION A-A

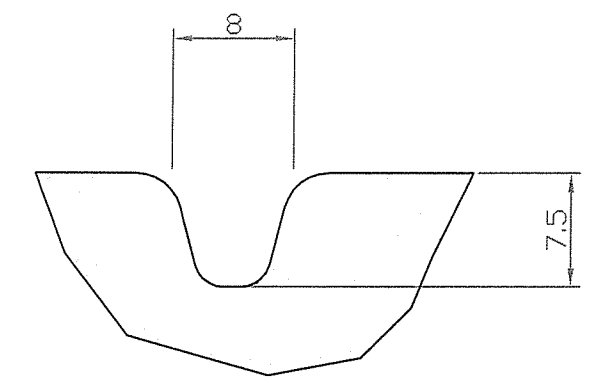
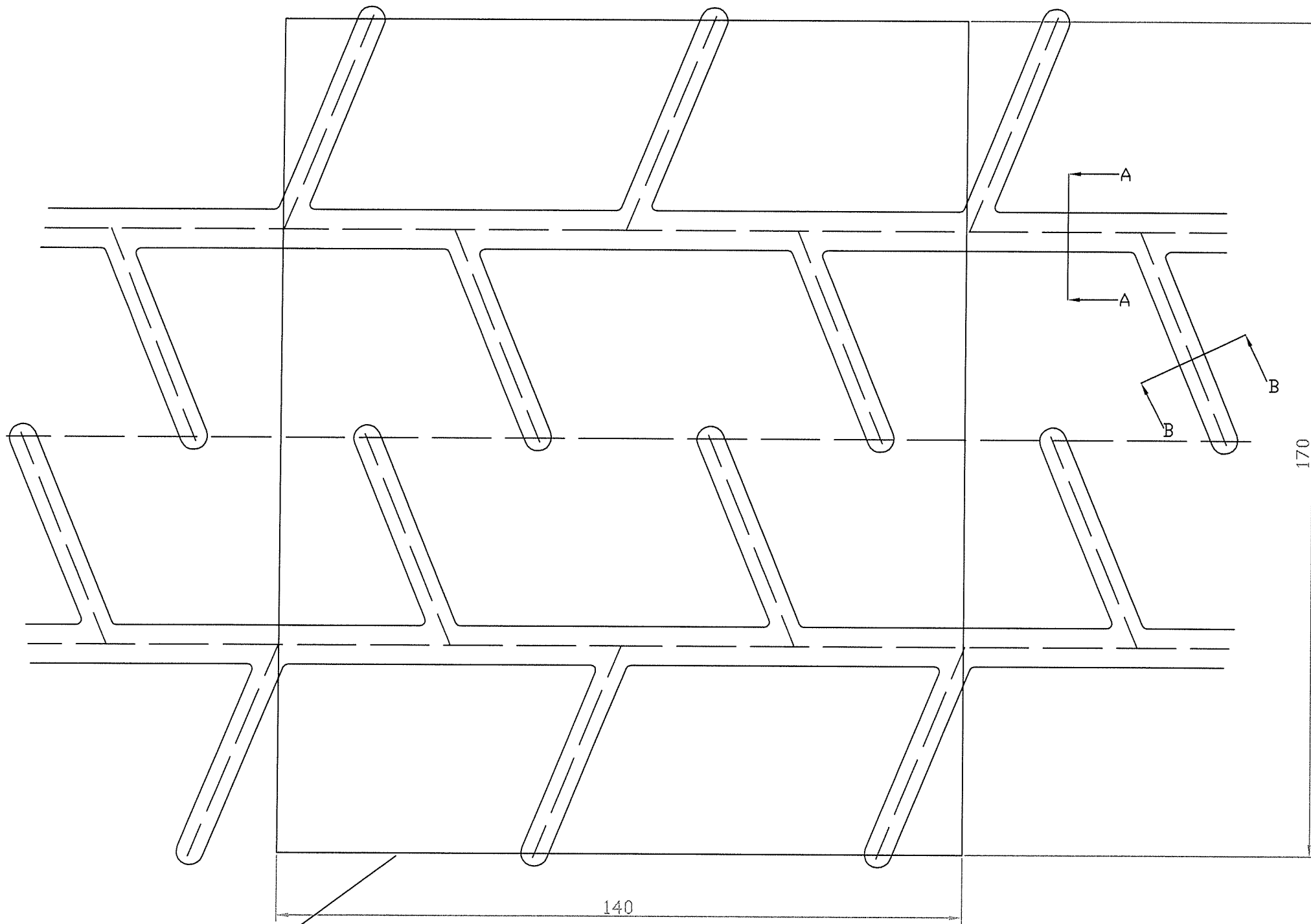


SECTION B-B

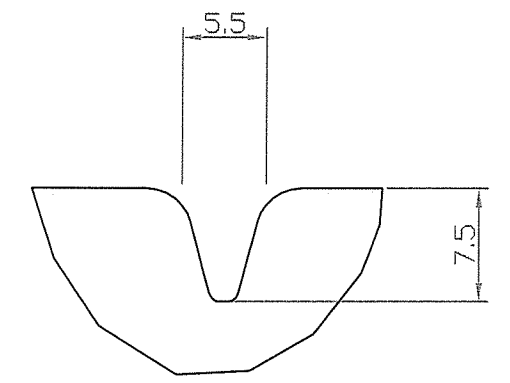
FIA Control area
148mm x 140mm = 20720mm

18.4% GROOVE RATE

DRAWING REFERENCES		APPROVAL		ISSUE		MODIFICATION		DATE	SIGN
DIMENSIONS				8" DRY PATTERN.					
MATERIAL				COOPER TIRES & RUBBER EUROPE LTD. MELKSHAM WILTSHIRE ENGLAND.					
								SCALE:	
								DRN:	BY:
								RX102	



SECTION A-A



SECTION B-B

FIA Control area
170mm x 140mm = 23800mm

17.29% GROOVE RATE

DRAWING REFERENCES		APPROVAL	

DIMENSIONS
MATERIAL

9" DRY PATTERN.
COOPER TIRES & RUBBER EUROPE LTD. MELKSHAM WILTSHIRE ENGLAND.

ISSUE	MODIFICATION	DATE	SIGN

SCALE: RX101

DRN: BY:

